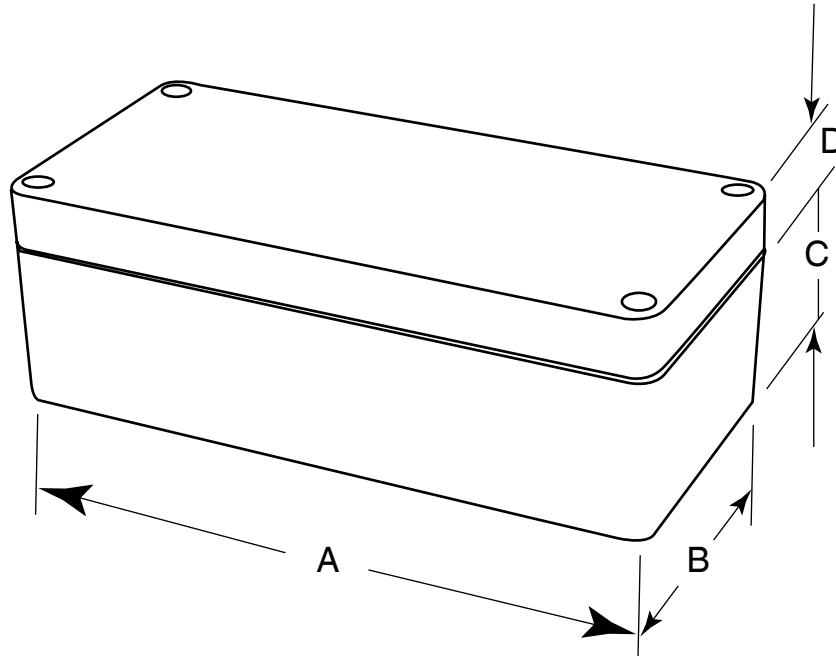


**Polyester Enclosure - NEMA 4x
1590ZGRP Series**



Corrosion Resistant

Junction Boxes/JIC Enclosures

Part Number	Units	Dimensions				Optional Inner Panel Part Number
		A	B	C	D	
1590ZGRP081	inch	3.15	2.95	1.57	0.59	1590ZGRP081PL
	mm	80	75	40	15	
1590ZGRP082	inch	4.33	2.95	1.57	0.59	1590ZGRP082PL
	mm	110	75	40	15	
1590ZGRP083	inch	6.30	2.95	1.57	0.59	1590ZGRP083PL
	mm	160	75	40	15	
1590ZGRP121	inch	4.80	4.72	2.56	0.98	1590ZGRP121PL
	mm	122	120	65	25	
1590ZGRP123	inch	8.66	4.72	2.76	0.79	1590ZGRP123PL
	mm	220	120	70	20	
1590ZGRP131	inch	7.48	2.95	1.57	0.59	1590ZGRP131PL
	mm	190	75	40	15	
1590ZGRP161	inch	6.30	6.30	2.76	0.79	1590ZGRP161PL
	mm	160	160	70	20	
1590ZGRP162	inch	10.24	6.30	2.76	0.79	1590ZGRP162PL
	mm	260	160	70	20	
1590ZGRP233	inch	9.84	7.87	3.74	0.98	1590ZGRP233PL
	mm	250	200	95	25	
1590ZGRP234	inch	10.04	9.84	3.74	0.98	1590ZGRP234PL
	mm	255	250	95	25	
1590ZGRP235	inch	10.04	9.84	3.74	2.56	1590ZGRP234PL
	mm	255	250	95	65	
1590ZGRP243	inch	15.75	9.84	3.74	0.98	1590ZGRP243PL
	mm	400	250	95	25	
1590ZGRP263	inch	23.62	9.84	3.74	0.98	1590ZGRP263PL
	mm	600	250	95	25	